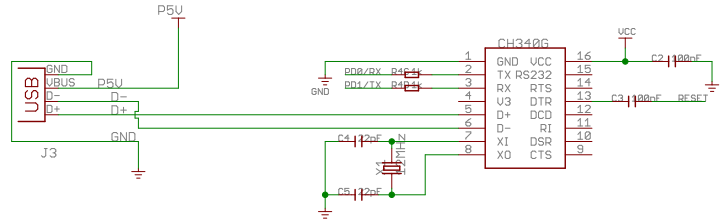
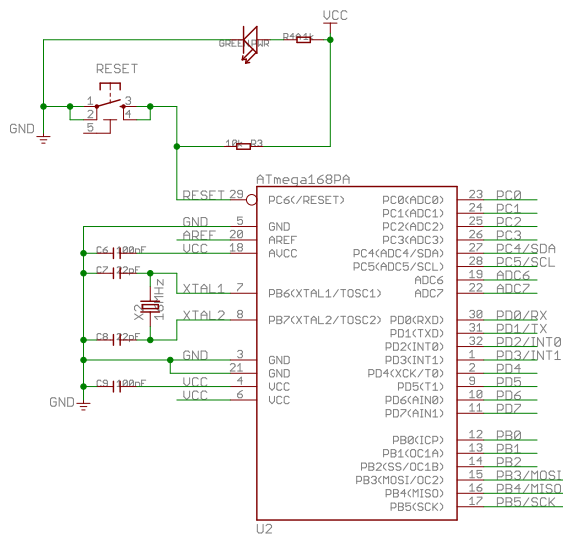


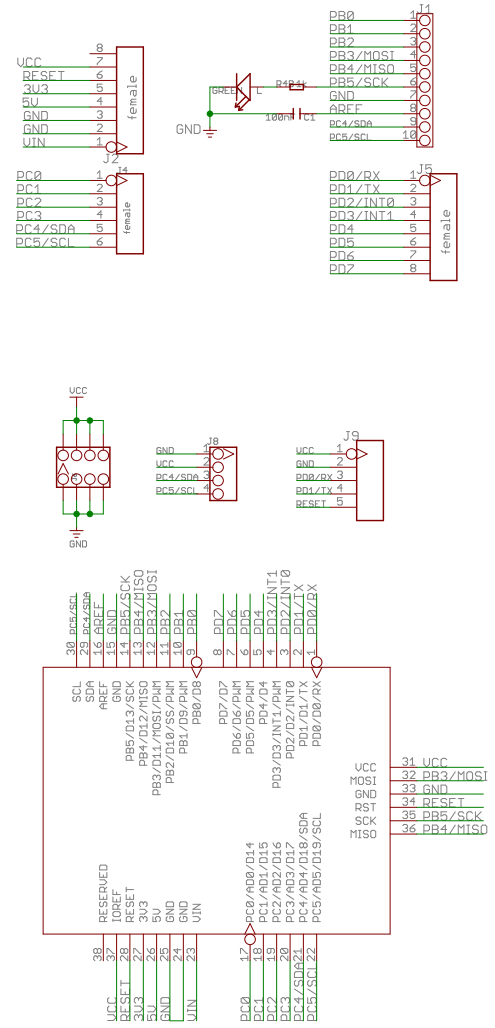
# USB to Serial



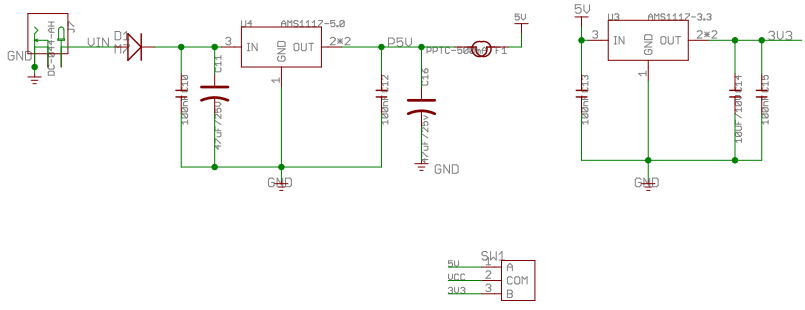
# MICROCONTROLLER



# I/Os



# POWER



Title: OPEN-SHART UND BU / 3.3V  
 Design: Jack  
 Check: Frank  
 Date: 2016-09-11  
 Store: <http://www.dx.com>  
<http://www.aliexpress.com/store/1199788>